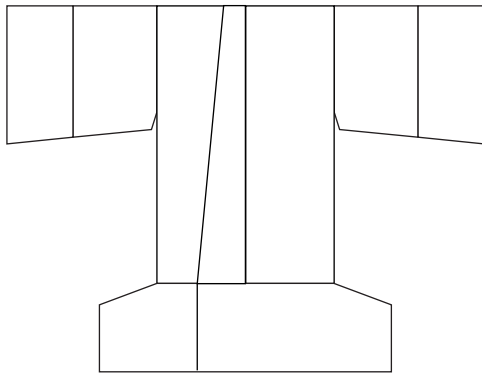
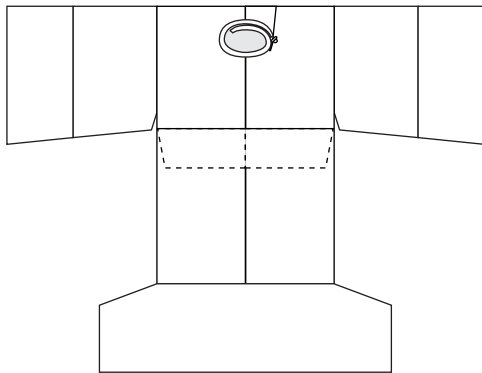


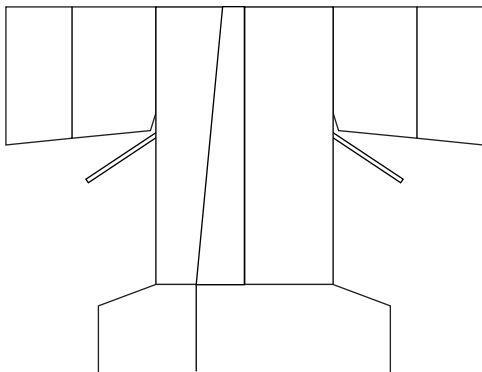
# Hō-based garments (Hōeki no hô)



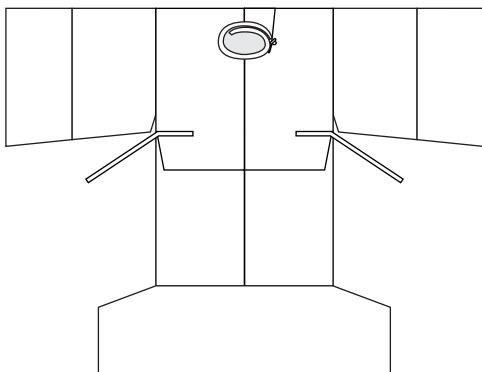
Hōeki no hô (F)



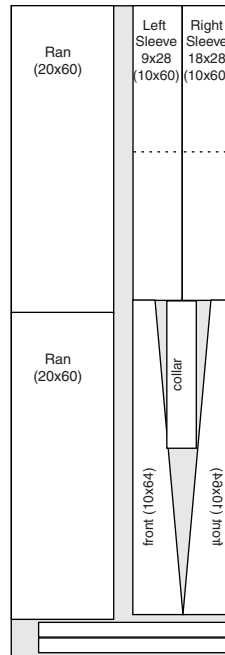
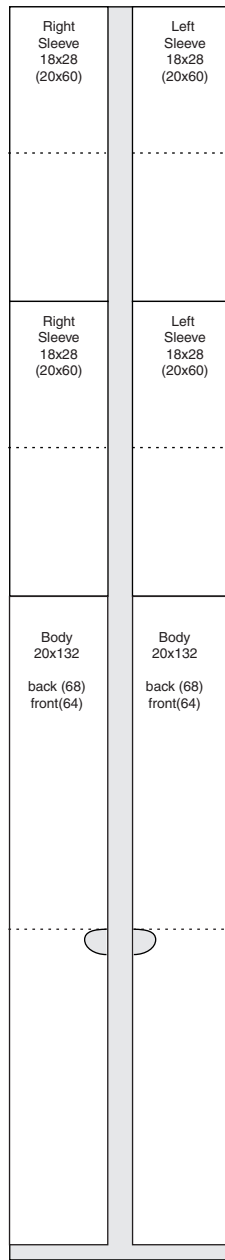
Hōeki no hô (B)



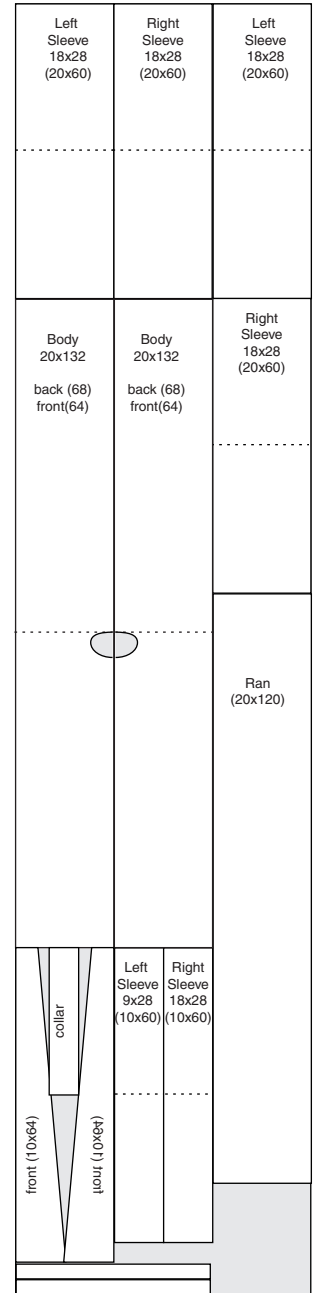
Nōshi (F)



Nōshi (B)



385 inches



263 inches

There are two numbers on the fabric layouts. The larger number is the size that the piece is cut to. The smaller number is the final size of the piece, with seams (and any folds) in place.

**Note that the hô is open under the sleeve for about 8-10" down the side of the body,**